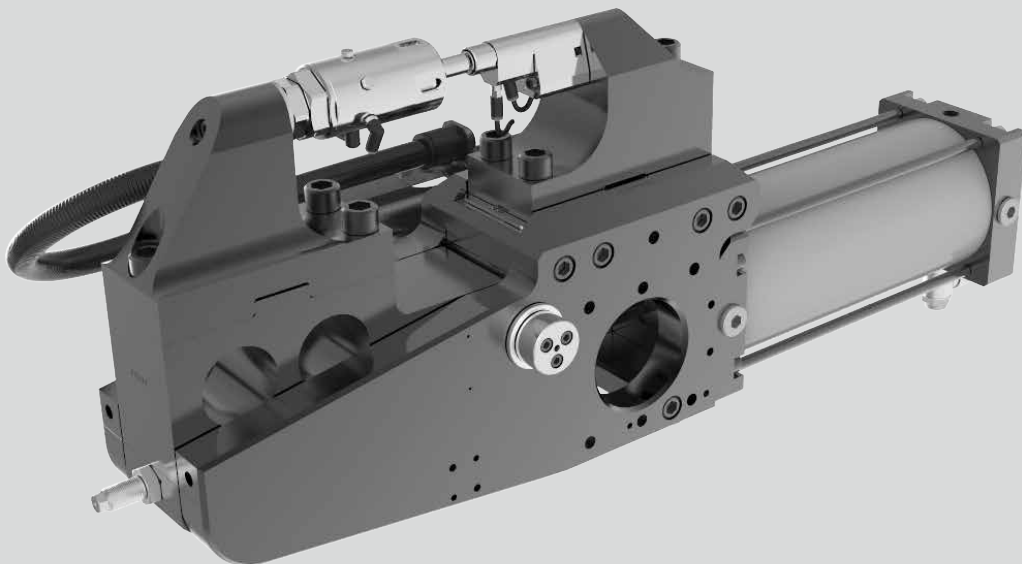


# TOX®-PowerKurver Type KKG



Data  
sheet  
90.30

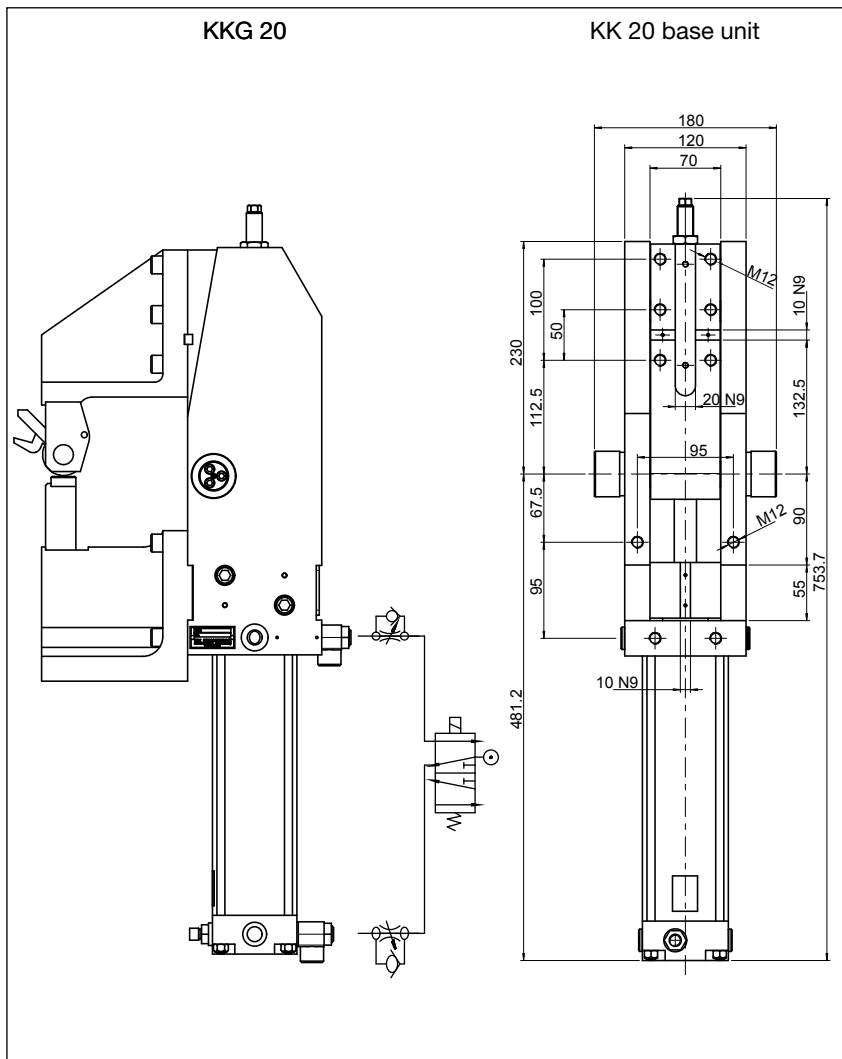
2016/03

TOX® PRESSOTECHNIK GmbH & Co. KG  
Riedstrasse 4  
D-88250 Weingarten

Find your local contact at:  
[www.tox-pressotechnik.com](http://www.tox-pressotechnik.com)

# TOX®-PowerKurve with pneumatic drive

Type: KK 20



The TOX®-PowerKurve consists of the base unit (KKx), the jaws, the tools and accessories. The jaws, tools and accessories are matched to your specific requirements. Following are the technical details of the base unit.

### Technical data:

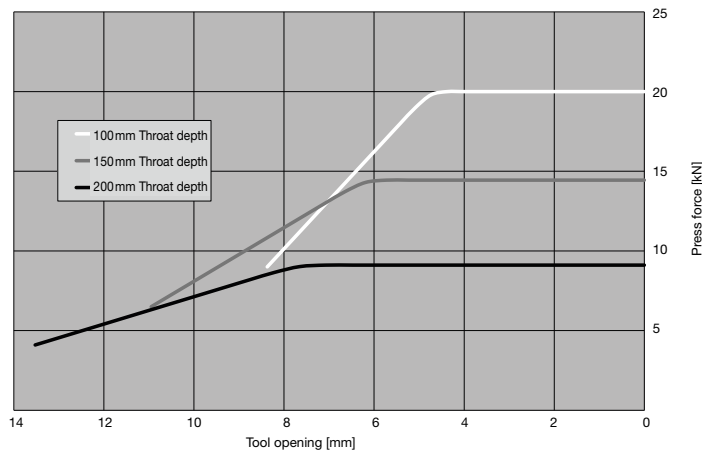
Additional function: End position cushion  
 Min. air pressure: 3 bar  
 Max. air pressure: 6 bar  
 Weight: approx.  
 (without jaws): 37 kg  
 Press force: 5 - 20 kN  
 Opening angle: 30°/45°/60°/75°/90°  
 can be changed subsequently

Krafthub (einstellbar): 4 mm

### Note:

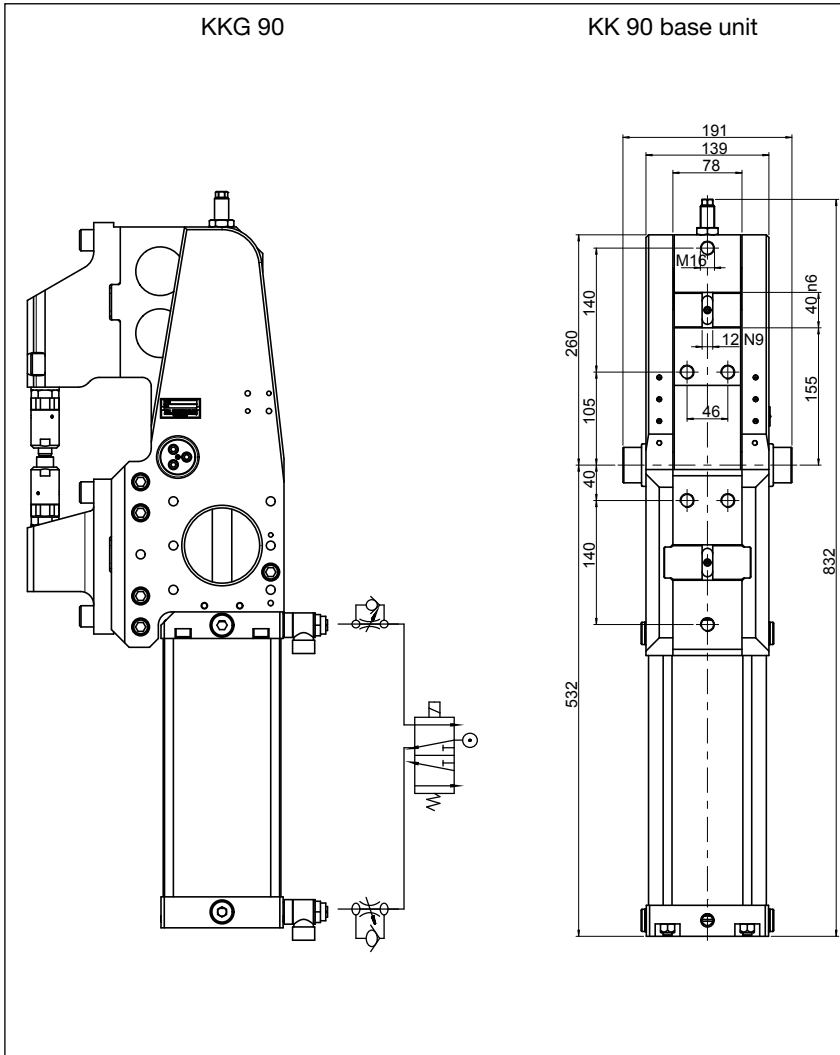
KKG 20: Can not be used for punching applications.

**Press force dependent on tool opening and throat depth**  
 (at 6 bar air pressure)



# TOX®-PowerKurve with pneumatic cylinder drive

Type: KK 90

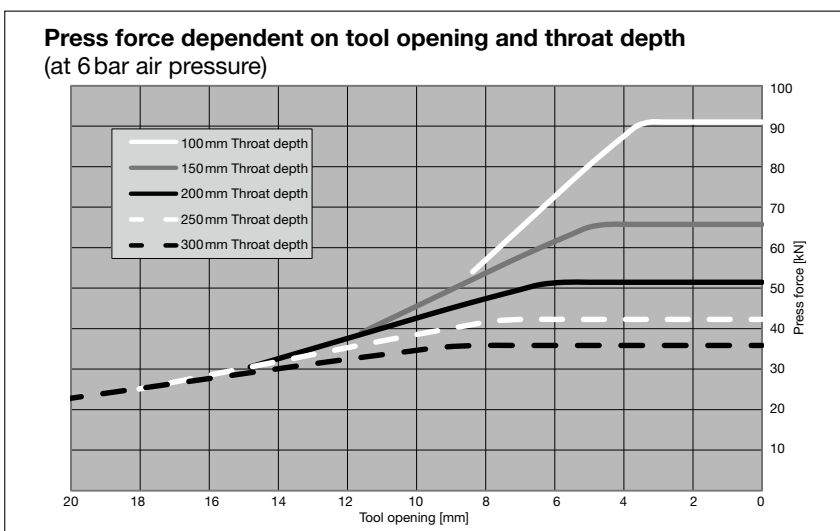


**Technical data:**

- Additional function: End position cushion
- Min. air pressure: 3 bar
- Max. air pressure: 6 bar
- Weight: approx. (without jaws): 53 kg
- Press force: 90 kN
- Opening angle: 30°/45°/60°/75°/90° fixed
- Krafthub (einstellbar): 3,5 mm

**Note:**

KKG 90: In punching operations only 50 % of the nominal force of the TOX®-PowerKurve may be utilised.



**Scope of delivery:**

The TOX®-PowerKurve assembled according to order number. The jaws are not included with the base unit and need to be ordered separately.

**Ordering example:**

KKG 020.00.90

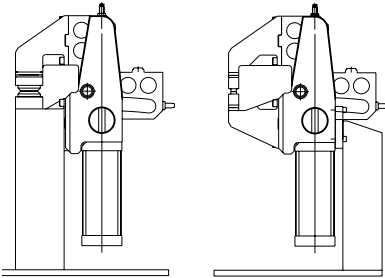
KKG 090.00.90

- └ Opening angle
- └ 00 = Version number
- └ Position for special versions
- └ Press force (kN)
- └ TOX®-PowerKurve

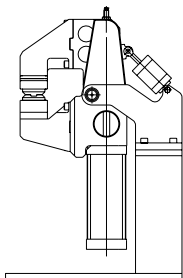
# Accessories

## Equalizing mounting pedestal KKZ 06 for KK 90

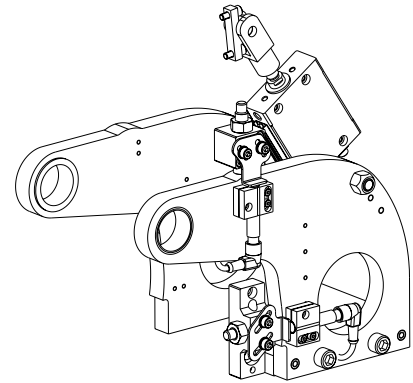
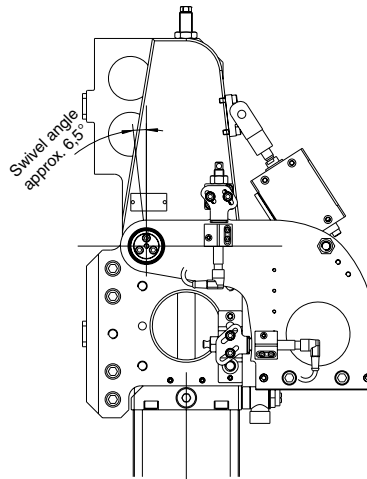
Mounting variants without equalizing mounting pedestal



Mounting variant with equalizing mounting pedestal



The TOX®-PowerKurve can be mounted in various ways. One of the common ways is with the TOX® swivel equalizing pedestal.



### Scope of delivery:

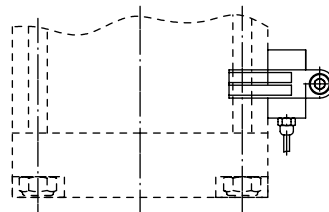
Swivel pedestal complete with bushings and dampening elements, without mounting screws.

**Order No.** KKZ 06

A simplified version for the KK 20 TOX®-PowerKurve is available.

## End position switch

Contactless 24 V. The upper end position switch can be used as a tool position sensor within the power stroke, as due to the large mechanical intensification ratio a accuracy of for example  $\pm 1 / 100$  mm at a jaw length of 100 mm is achieved.



**Order No.** KKZ 03.000