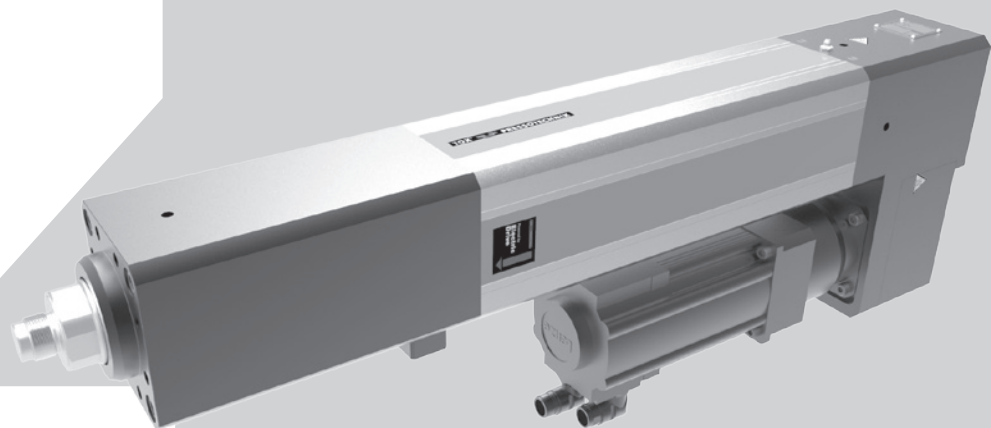
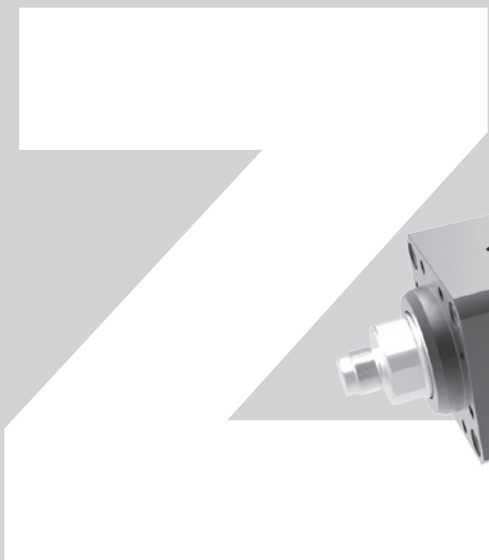


# TOX®-ElectricDrive Accessories



Data-  
sheet  
40.90

2016/04

TOX® PRESSOTECHNIK GmbH & Co. KG  
Riedstraße 4  
D-88250 Weingarten

Find your local contact at:  
[www.tox-pressotechnik.com](http://www.tox-pressotechnik.com)

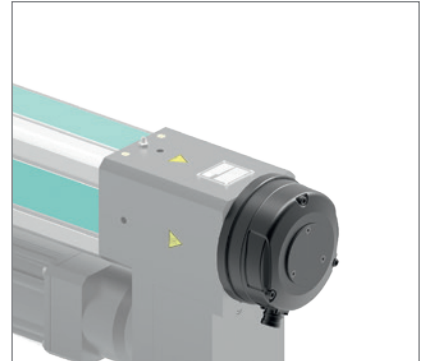
# TOX<sup>®</sup>-ElectricDrive Accessories

## Safety brake

Essential safety accessory: The TOX<sup>®</sup>-ElectricDrives can be equipped with a safety brake. The safety brake stops the drive in case of a malfunction. Important especially for heavy tools. It protects the worker from injuries. It also checks the functionality before each running-cycle.

It meets the working safety requirements and the norms of the professional association.

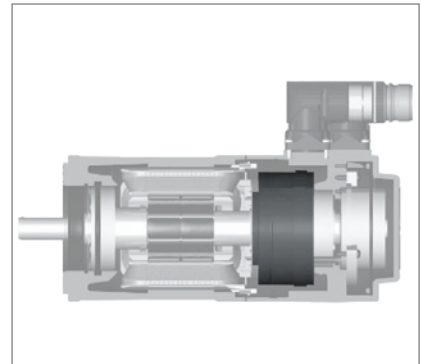
(Only for drives EQ-K and EX-K).



## Motor holding brake

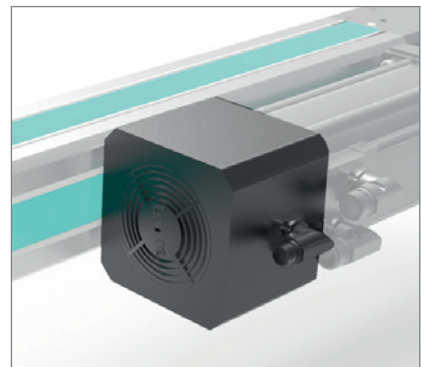
The TOX<sup>®</sup>-ElectricDrives EQ, EX, EPMR 500 and EPMR 700 can be equipped with a motor holding brake. In case of a currentless stop of the system, a safety rod catcher prevents the weight-loaded working piston from dropping. This protects the drive, tools and piece parts to be machined against damage.

The motor holding brake is a fair alternative to the safety brake. All wires for for control are included.



## Cooling fan

The servo drives type EX and EPMR 500 + 700 can be equipped with a fan on request. It cools down the motor to enable higher power density and thus higher cycle times.



# TOX<sup>®</sup>-ElectricDrive Accessories



## Grease press

A must have for a long life! With this manual gun the drives can be filled with the TOX<sup>®</sup>-Special grease. Greasing intervals and amounts according to the manual. (Suitable for 400 g TOX<sup>®</sup>-Special grease cartridge)

Order no.: ZFP



## Lubrication unit EZ-K

The drives EQ, EX, EPMR 500 and EPMR 700 can be equipped with a lubrication unit. The lubrication unit feeds the drive with the right amount of TOX<sup>®</sup>-Special grease.



## Special grease for TOX<sup>®</sup>-ElectricDrives

400 g Cartridge

Order no.: ZFE



© A.S.T. GmbH

## Calibration equipment type ZKE

For the re-calibration of the TOX<sup>®</sup>-Electric Power Module. The interval for the re-calibration should be defined by the customer.

## Scope of delivery:

- Precision force sensor 10, 50, 100 and 200 kN with connection cable (1.5 m) for digital display unit
- Digital display unit (handheld)
- Power supply  
3 possibilities: batteries (3 pcs.), USB cable via PC and USB power supply
- USB cable (1.8 m)
- Factory calibration report
- CD-ROM with operating manual and PC software
- Transport case

