

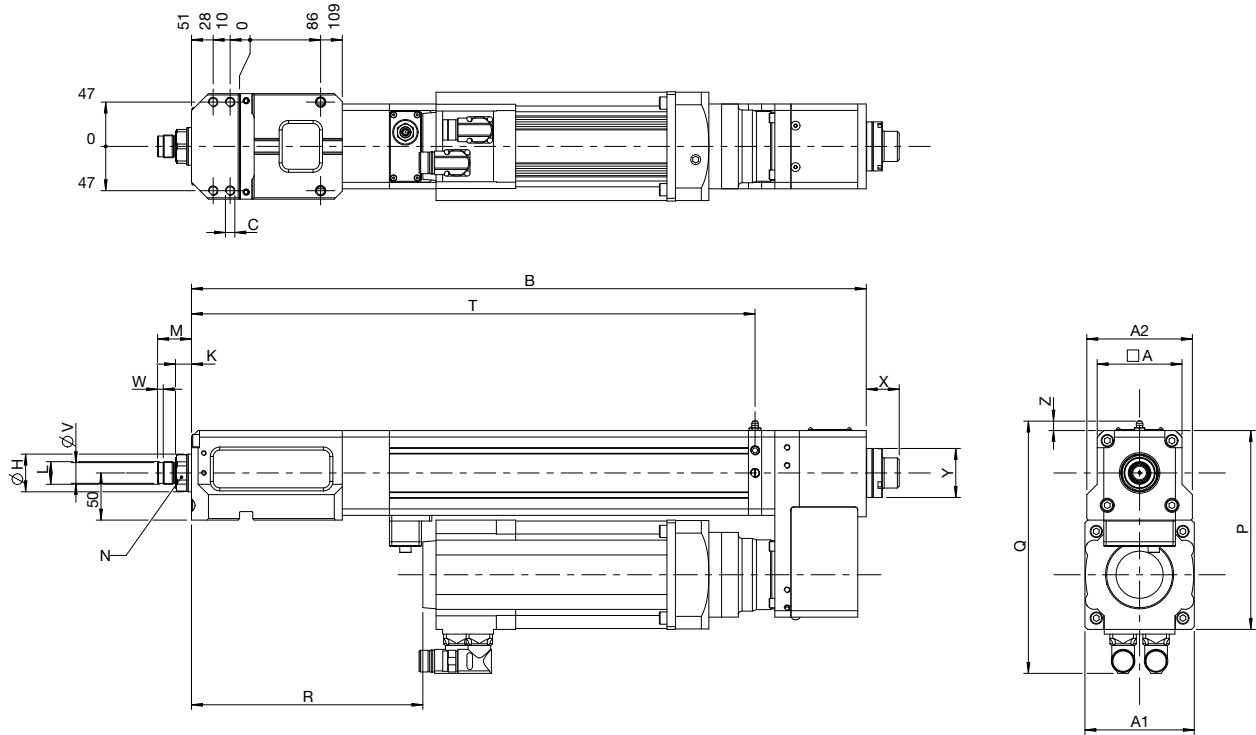
TOX®-ElectricDrive Type EPMR Version 503 and 703

Data sheet 40.80
2018/12



TOX[®]-Electric Power Module

Type EPMR 055 kN / 80 kN



Dimensions and weights

| Type | Stroke mm | Max. nominal force kN | Weight approx. kg |
|--------------------------|-----------|-----------------------|-------------------|
| EPMR 055.503.150.001.150 | 150 | 55 | 45 |
| EPMR 080.503.150.001.150 | 150 | 80 | 71 |

| Type | A | A1 | A2 | B | C | ØH | K ⁽¹⁾ | L | M ⁽¹⁾ | N ⁽¹⁾ | P | Q | R | T | V _{g6} | W | X | Y | Z |
|--------------------------|-----|-----|-----|-----|-------|----|------------------|---------|------------------|------------------|-----|-----|-----|-----|-----------------|---|----|----|----|
| EPMR 055.503.150.001.150 | 90 | 116 | 112 | 716 | 6xM10 | 40 | 17 | M24x1.5 | 36 | 36 | 211 | 268 | 245 | 598 | 22 | 6 | 35 | 52 | 10 |
| EPMR 080.503.150.001.150 | 105 | 120 | 112 | 821 | 6xM10 | 50 | 17 | M24x1.5 | 36 | 41 | 255 | 295 | 235 | 666 | 22 | 6 | 43 | 66 | 10 |

Dimensions in mm

| Specifications EPMR | 055.503 | 080.503 |
|--|--|------------|
| Mechanical | | |
| Rated force push | 55 kN | 80 kN |
| Rated force pull | 17 kN | 17 kN |
| Stroke ²⁾ | 150/200 mm | 150/200 mm |
| Max. speed ²⁾ | 200 mm/s | 200 mm/s |
| Distance repeatability ³⁾ | < ± 0,01 mm | |
| Sensors | | |
| Measuring range force transducer ⁴⁾ | 2.75 – 55 kN | 4 – 80 kN |
| Accuracy | < +/- 1 % of rated force, pressing | |
| Resolver | ■ | ■ |
| Resolution (theoretically) | 0.00106 mm | 0.00148 mm |
| Electrical | | |
| Protection class ⁵⁾ | Drive IP54 (as component) | |
| Mains supply | see servo controller | |
| Climatic conditions | + 10° to + 40° C, from 40 °C performance loss, max. 55° C; air moisture < 75 %, without condensation | |

¹⁾ Dimension refers to zero position of drive. Reference position = zero position - 3 mm.

²⁾ Specials on request (colour, stroke, speed, ...)

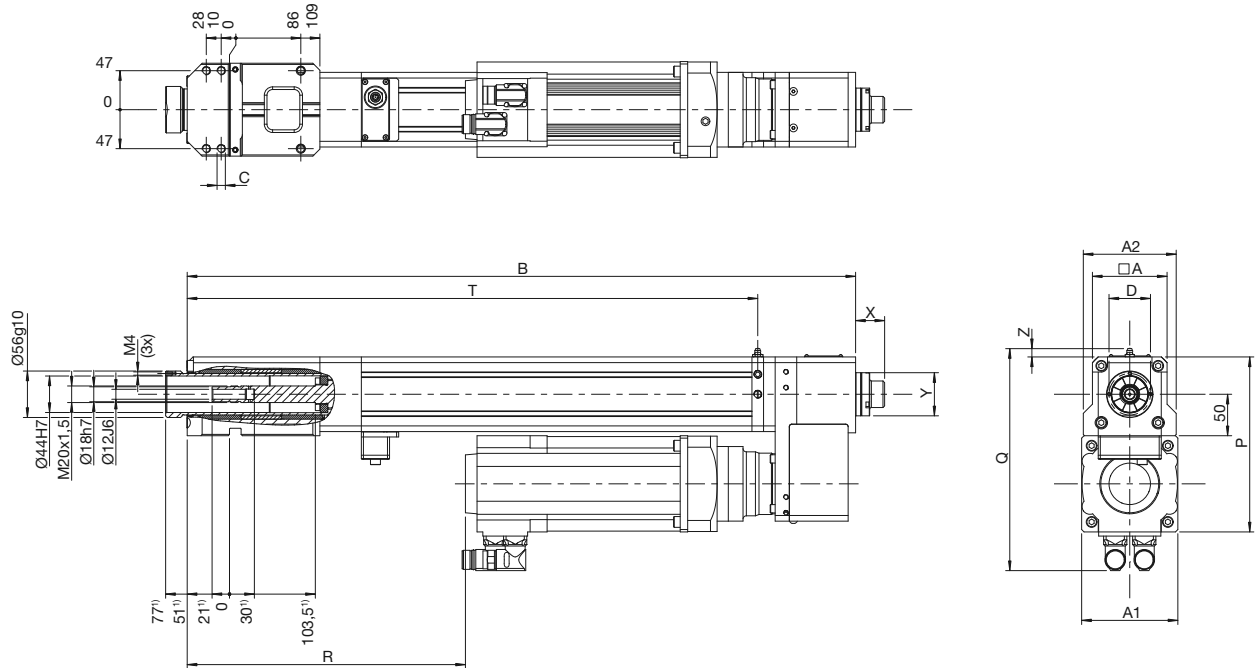
³⁾ In thermal transient condition

⁴⁾ Recommended operating range 5 – 80 %

⁵⁾ Optional: protection class IP65

TOX[®]-Electric Power Module

Type EPMR 055 kN / 80 kN with internal stroke for riveting applications



Dimensions and weights

| Type | Stroke mm | Max. nominal force kN | Weight approx. kg |
|--------------------------|-----------|-----------------------|-------------------|
| EPMR 055.703.240.001.240 | 240 | 55 | 47 |
| EPMR 080.703.240.001.240 | 240 | 80 | 73 |

| Type | A | A1 | A2 | B | C | D | P | Q | R | T | X | Y | Z |
|--------------------------|-----|-----|-----|-----|-------|----|-----|-----|-----|-----|----|----|----|
| EPMR 055.703.240.001.240 | 90 | 116 | 112 | 806 | 6xM10 | 50 | 211 | 268 | 335 | 688 | 35 | 52 | 10 |
| EPMR 080.703.240.001.240 | 105 | 120 | 112 | 911 | 6xM10 | 50 | 255 | 295 | 417 | 756 | 43 | 66 | 10 |

Dimensions in mm

| Specifications EPMR | 055.703 ⁶⁾ | 080.703 ⁶⁾ |
|--|--|-----------------------|
| Mechanical | | |
| Rated force push | 55 kN | 80 kN |
| Rated force pull | 5 kN | 5 kN |
| Stroke ²⁾ | 240/300 mm | 240/300 mm |
| Maximum stroke external ²⁾ | 170/230 mm | 170/230 mm |
| Stroke internal ²⁾ | 70 mm | 70 mm |
| Distance repeatability ³⁾ | 250 mm/s | 200 mm/s |
| Max. speed ³⁾ | < ± 0,01 mm | |
| Sensors | | |
| Measuring range force transducer ⁴⁾ | 2.75 – 55 kN | 4 – 80 kN |
| Accuracy | < +/- 1 % of rated force, pressing | |
| Resolver | ■ | ■ |
| Resolution (theoretically) | 0.00106 mm | 0.00148 mm |
| Electrical | | |
| Protection class ⁵⁾ | Drive IP54 (as component) | |
| Mains supply | see servo controller | |
| Climatic conditions | + 10° to + 40° C, from 40° C performance loss, max. 55° C; air moisture < 75 %, without condensation | |

¹⁾ Dimension refers to zero position of drive. Reference position = zero position - 3 mm.

²⁾ Specials on request (colour, stroke, speed, ...)

³⁾ In thermal transient condition

⁴⁾ Recommended operating range 5 – 80 %

⁵⁾ Optional: protection class IP65

⁶⁾ Guide tube without anti-rotation lock