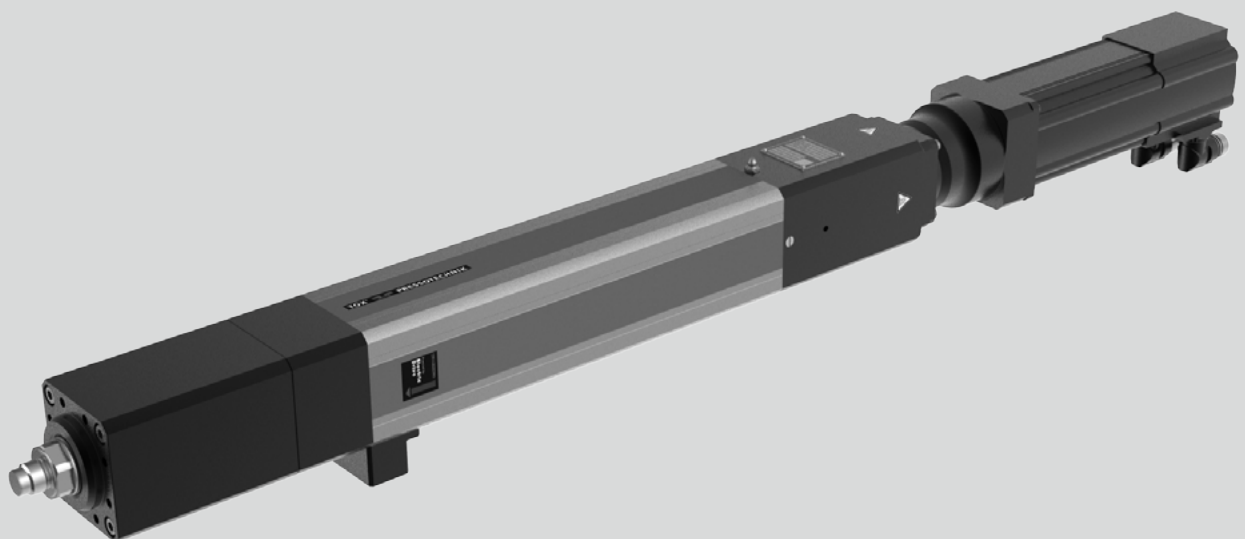


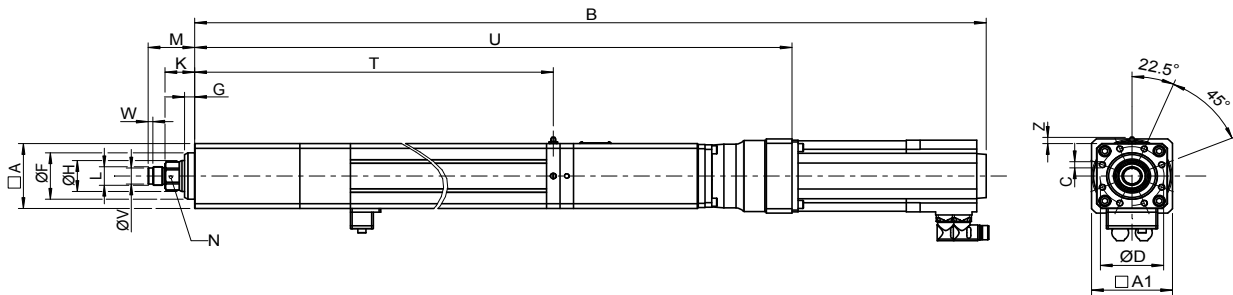
TOX®-ElectricDrive Type EX-F

Data sheet 40.60
2018/12



TOX[®]-ElectricDrive servo drive

Type EX-F, 5 – 100 kN with Planetary roller spindle



Dimensions and weights

Preferred series (short delivery time)

Type	Stroke length mm	Max. nominal force kN	Weight kg
EX-F 005.XXX*.150	150	5	23
EX-F 005.XXX*.300	300	5	23
EX-F 010.XXX*.300	150	10	38
EX-F 010.XXX*.300	300	10	38
EX-F 025.XXX*.150	150	25	67
EX-F 025.XXX*.300	300	25	67
EX-F 055.XXX*.150	150	55	115
EX-F 055.XXX*.300	300	55	115
EX-F 100.XXX*.150	150	100	170
EX-F 100.XXX*.300	300	100	170

*Versions: 003 = standard, other special versions on request

Type	A	A1	B	C	D	F ₇₇	G	H	K ⁽¹⁾	L	M ⁽¹⁾	N	T	U	V ₉₆	W	Z
EX-F 005.XXX*.150	70	90	883	8x M6x12	60	50	10	30	28	M12x1.5	40	27	497	620	-	-	10
EX-F 005.XXX*.300	70	90	1033	8x M6x12	60	50	10	30	28	M12x1.5	40	27	647	770	-	-	10
EX-F 010.XXX*.300	90	90	1120	8x M8x16	80	65	10	40	26	M22x2	46	36	585	858	18	7	10
EX-F 010.XXX*.300	90	90	1270	8x M8x16	80	65	10	40	26	M22x2	46	36	735	1008	18	7	10
EX-F 025.XXX*.150	105	120	1284	8x M10x20	95	75	15	50	44	M30x2	69	41	662	1016	26	7	10
EX-F 025.XXX*.300	105	120	1434	8x M10x20	95	75	15	50	44	M30x2	69	41	812	1166	26	7	10
EX-F 055.XXX*.150	130	150	1422	8x M12x24	115	90	17	60	42	M30x2	67	55	702	1140	26	7	10
EX-F 055.XXX*.300	130	150	1572	8x M12x24	115	90	17	60	42	M30x2	67	55	852	1290	26	7	10
EX-F 100.XXX*.150	160	150	1562	8x M16x32	135	105	17	75	42	M39x2	77	65	789	1240	-	-	10
EX-F 100.XXX*.300	160	150	1712	8x M16x32	135	105	17	75	42	M39x2	77	65	939	1390	-	-	10

*Versions: 003 = standard, other special versions on request

Dimensions in mm

Specifications EX-F	005	010	025	055	100
Mechanical					
Nominal force push	5 kN	10 kN	25 kN	55 kN	100 kN
Nominal force pull	3 kN	3 kN	8 kN	17 kN	30 kN
Max. speed ²⁾	800 mm/s	550 mm/s	500 mm/s	350 mm/s	300 mm/s
Max. short-term overload	10 % of nominal force				
Repeatability ³⁾	< ± 0.01 mm				
Max. tool weight without holding brake ⁶⁾	5 kg	10 kg	15 kg	25 kg	35 kg
Sensors					
Measuring range force transducer ⁴⁾	0.25 – 5 kN	0.5 – 10 kN	1.25 – 25 kN	2.75 – 55 kN	5 – 100 kN
Accuracy	< ± 1 % of nominal force push				
Resolver	■	■	■	■	■
Resolution (theoretically)	0.00593 mm	0.00370 mm	0.00370 mm	0.00296 mm	0.00296 mm
Electrical					
Protection class ⁵⁾	IP 54				
Mains supply	see servo controller				
Climatic conditions	+ 10° to + 40° C, from 40° C performance loss, max. 55° C; air moisture < 75 %, without condensation				

¹⁾ Dimension refers to zero position of drive. Reference position = zero position - 3 mm.

²⁾ Special versions on request

³⁾ In thermal transient condition

⁴⁾ Recommended operating range 5 – 100 %

⁵⁾ Optional: Protection class IP 65

⁶⁾ For higher weights, the tool can sink in de-energized condition

A wide range of accessories is available for the servo drive type EX-F, e. g. a holding brake (see brochure TOX® -ElectricDrive).

Ordering example

EX-F 005.003.150

