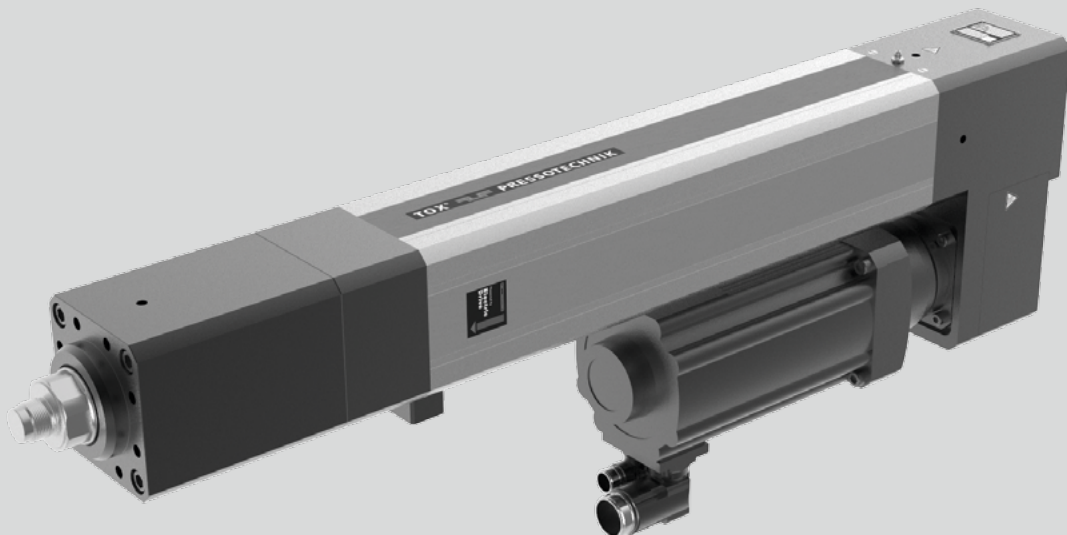


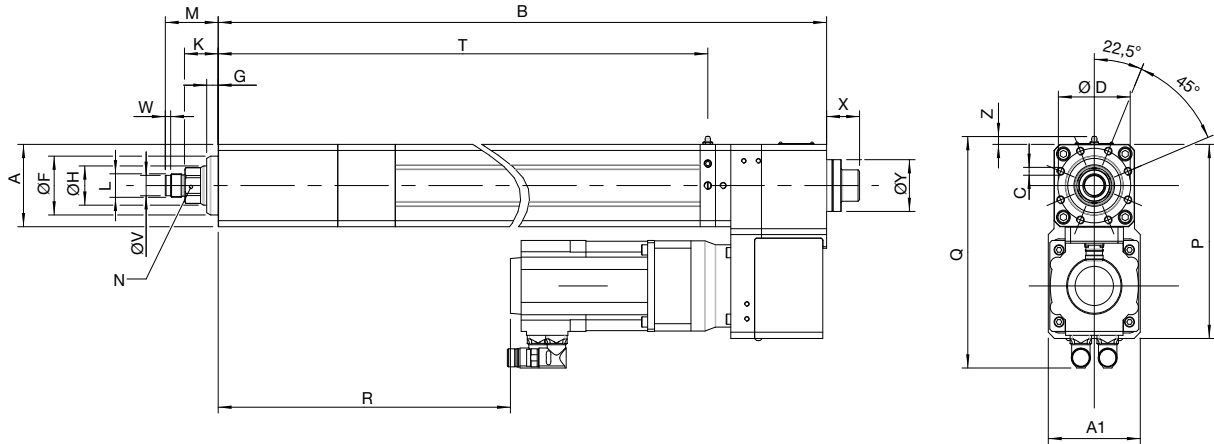
# TOX®-ElectricDrive Type EX-K

Data sheet 40.50  
2016/12



# TOX<sup>®</sup>-ElectricDrive servo drive

## Type EX-K, 10 – 200 kN with Planetary roller spindle



### Dimensions and weights

#### Preferred series (short delivery time)

Type	Stroke length mm	Max. nominal force kN	Weight approx. kg
EX-K 010.XXX*.150	150	10	25
EX-K 010.XXX*.300	300	10	25
EX-K 025.XXX*.150	150	25	43
EX-K 025.XXX*.300	300	25	43
EX-K 025.XXX*.450	450	25	43
EX-K 055.XXX*.150	150	55	76
EX-K 055.XXX*.300	300	55	76
EX-K 055.XXX*.450	450	55	76
EX-K 100.XXX*.150	150	100	116
EX-K 100.XXX*.300	300	100	116
EX-K 100.XXX*.450	450	100	116
EX-K 200.XXX*.150	150	200	197
EX-K 200.XXX*.300	300	200	197
EX-K 200.XXX*.450	450	200	197

\*Versions: 003 = standard, 004 = with safety brake, other special versions on request

Type	A	A1	B	C	D	F <sub>T</sub>	G	H	K <sup>1)</sup>	L	M <sup>1)</sup>	N <sup>2)</sup>	P	Q	R	T	V <sub>g6</sub>	W	X	Y	Z
EX-K 010.XXX*.150	70	90	606	8x M6x12	60	50	10	30	28	M12x1.5	40	27	165	220	202	497	-	-	33	42	10
EX-K 010.XXX*.300	70	90	756	8x M6x12	60	50	10	30	28	M12x1.5	40	27	165	220	352	647	-	-	33	42	10
EX-K 025.XXX*.150	90	110	703	8x M8x16	80	65	10	40	26	M22x2	46	36	208	258	247	585	18	7	35	52	10
EX-K 025.XXX*.300	90	110	853	8x M8x16	80	65	10	40	26	M22x2	46	36	208	258	397	735	18	7	35	52	10
EX-K 025.XXX*.450	90	110	1003	8x M8x16	80	65	10	40	26	M22x2	46	36	208	258	547	885	18	7	35	52	10
EX-K 055.XXX*.150	105	135	817	8x M10x20	95	75	15	50	44	M30x2	69	41	248	296	323	662	26	7	43	66	10
EX-K 055.XXX*.300	105	135	967	8x M10x20	95	75	15	50	44	M30x2	69	41	248	296	473	812	26	7	43	66	10
EX-K 055.XXX*.450	105	135	1117	8x M10x20	95	75	15	50	44	M30x2	69	41	248	296	623	962	26	7	43	66	10
EX-K 100.XXX*.150	130	160	875	8x M12x24	115	90	17	60	42	M30x2	67	55	295	348	343	702	26	7	46	75	10
EX-K 100.XXX*.300	130	160	1025	8x M12x24	115	90	17	60	42	M30x2	67	55	295	348	493	852	26	7	46	75	10
EX-K 100.XXX*.450	130	160	1175	8x M12x24	115	90	17	60	42	M30x2	67	55	295	348	643	1002	26	7	46	75	10
EX-K 200.XXX*.150	160	160	1000	8x M16x32	135	105	17	75	42	M39x2	77	65	345	379	372	789	-	-	58	90	10
EX-K 200.XXX*.300	160	160	1150	8x M16x32	135	105	17	75	42	M39x2	77	65	345	379	522	939	-	-	58	90	10
EX-K 200.XXX*.450	160	160	1300	8x M16x32	135	105	17	75	42	M39x2	77	65	345	379	672	1089	-	-	58	90	10

\*Versions: 003 = standard, 004 = with safety brake, other special versions on request

Dimensions in mm

Specifications EX-K	010	025	055	100	200
<b>Mechanical</b>					
Nominal force push	10 kN	25 kN	55 kN	100 kN	200 kN
Nominal force pull	3 kN	8 kN	17 kN	30 kN	60 kN
Max. speed	300 mm/s	280 mm/s	250 mm/s	200 mm/s	120 mm/s
Max. short-term overload	10% of nominal force				
Repeatability <sup>2)</sup>	< ± 0,01 mm				
Max. tool weight without holding brake <sup>5)</sup>	10 kg	15 kg	25 kg	50 kg	100 kg
<b>Sensors</b>					
Measuring range force transducer <sup>3)</sup>	0.5 – 10 kN	1.25 – 25 kN	2.75 – 55 kN	5 – 100 kN	10 – 200 kN
Accuracy	< ± 0,5% of nominal force push				
Resolver	■	■	■	■	■
Resolution (theoretically)	0.00004 mm	0.00004 mm	0.00004 mm	0.00003 mm	0.00002 mm
<b>Electrical</b>					
Protection class <sup>4)</sup>	IP 54				
Mains supply	see servo controller				
Climatic conditions	+ 10° to + 40° C, from 40° C performance loss, max. 55° C; air moisture < 75 %, without condensation				

<sup>1)</sup> Dimension refers to zero position of drive. Reference position = zero position - 3 mm.

<sup>2)</sup> In thermal transient condition

<sup>3)</sup> Recommended operating range 5 – 100 %

<sup>4)</sup> Optional: Protection class IP 65

<sup>5)</sup> For higher weights, the tool can sink in de-energized condition

A wide range of accessories is available for the servo drive type EX-K, e.g. a holding brake (see brochure TOX®-ElectricDrive)

#### Ordering example

EX-K 010.003.300

