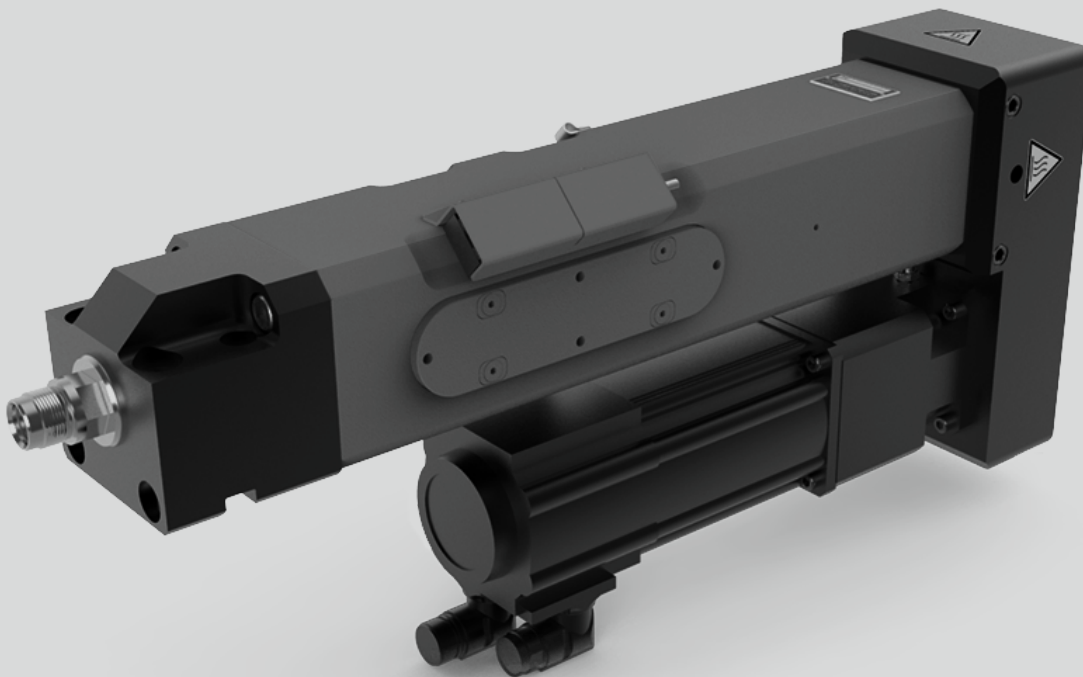


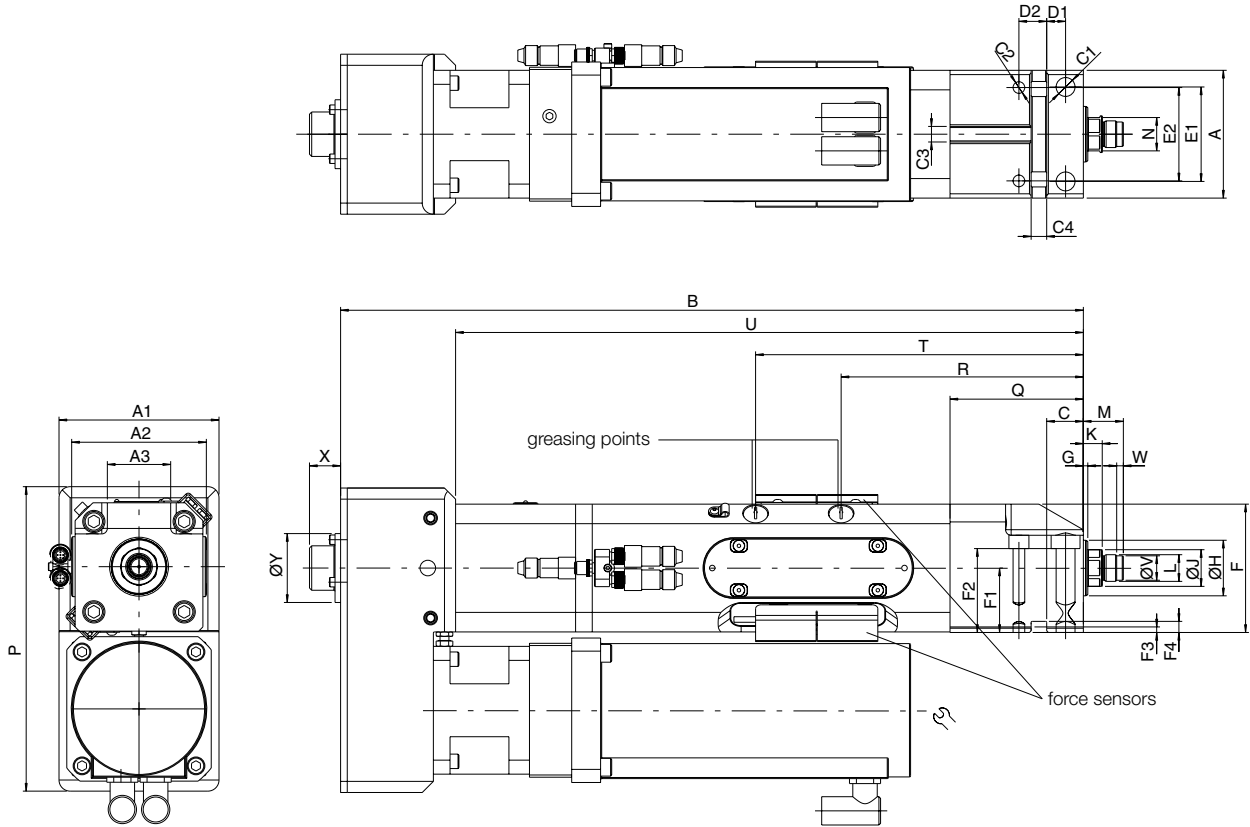
# TOX®-ElectricDrive Type EPMR

Data sheet 40.30  
2016/09



# TOX<sup>®</sup>-Electric Power Module

## EPMR 55 kN / 100 kN



### Dimensions and weights

| Type             | Stroke mm | Max. nominal force kN | Weight approx. kg | A   | A1  | A2    | A3 | B     | C  | C1   | C2 | C3 <sup>H7</sup> | C4 <sup>H7</sup> | D1 | D2 |
|------------------|-----------|-----------------------|-------------------|-----|-----|-------|----|-------|----|------|----|------------------|------------------|----|----|
| EPMR 055.030.100 | 100       | 55                    | 38                | 95  | 120 | 105.5 | 39 | 567   | 27 | 13   | 9  | 14               | 14               | 15 | 21 |
| EPMR 100.030.100 | 100       | 100                   | 68                | 115 | 144 | 121.5 | 57 | 668.5 | 33 | 17.5 | 11 | 14               | 14               | 17 | 25 |

| Type             | E1 | E2 | F     | F1 <sup>+0.02</sup> | F2   | F3 | F4 | G | H  | J  | K <sup>1)</sup> | L       | M <sup>1)</sup> | N <sup>2)</sup> | P   | Q   | R   | T   | U   | V <sub>96</sub> | W | X  | Y  |
|------------------|----|----|-------|---------------------|------|----|----|---|----|----|-----------------|---------|-----------------|-----------------|-----|-----|-----|-----|-----|-----------------|---|----|----|
| EPMR 055.030.100 | 60 | 62 | 92.5  | 45                  | 62.5 | 6  | 9  | 4 | 40 | 28 | 18              | M24x1.5 | 37              | 24              | 245 | 83  | 182 | 262 | 484 | 22              | 6 | 28 | 60 |
| EPMR 100.030.100 | 85 | 84 | 115.5 | 58                  | 75.5 | 6  | 10 | 4 | 50 | 33 | 17              | M24x1.5 | 36              | 30              | 274 | 120 | 218 | 298 | 565 | 22              | 6 | 28 | 62 |

Dimensions in mm

| Specifications EPMR                  | 055.030.100  | 100.030.100 |
|--------------------------------------|--|-------------|
| <b>Mechanical</b>                    |  |             |
| Rated force* push                    | 55 kN  | 100 kN      |
| Rated force pull                     | 16.5 kN  | 30 kN       |
| Stroke <sup>2)</sup>                 | 100 mm   | 100 mm      |
| Max. speed <sup>2)</sup>             | 120 mm/s   | 120 mm/s    |
| Max. short-term overload             | 10 % of rated force  |             |
| Distance repeatability <sup>3)</sup> | < ± 0.01 mm  |             |
| <b>Sensors</b>                       |  |             |
| Load cell <sup>4)</sup>              | 2.75 – 55 kN   | 5 – 100 kN  |
| Accuracy                             | < +/- 0.5 % of rated force, pressing   |             |
| Resolver                             | ■  | ■           |
| Resolution (theoretically)           | 0.00025 mm   | 0.0003 mm   |
| <b>Electrical</b>                    |  |             |
| Protection class                     | Drive IP54 (as component)  |             |
| Mains supply                         | see servo controller   |             |
| Climatic conditions                  | + 10° to + 40° C, from 40° C performance loss, max. 55° C; air moisture < 75 %, without condensation |             |

<sup>1)</sup> Zero position of drive is the reference (marked) position +3 mm

<sup>2)</sup> Specials on request (colour, stroke, speed, ...)

<sup>3)</sup> In thermal transient condition

<sup>4)</sup> Recommended operating range 5 – 100 %

The tightly toleranced (H7) keyways on the mounting flange provide for precise alignment of the drive with respect to the direction of travel. The height and position of the drive can be precisely adjusted using spacer plates and keys.