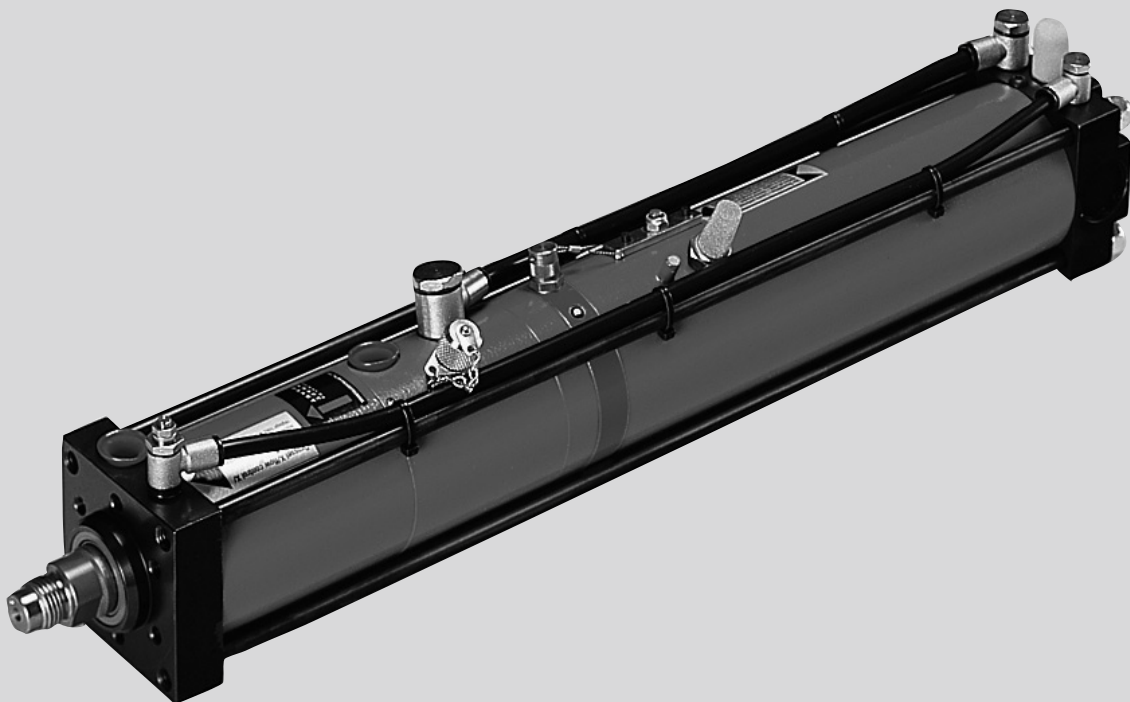


# TOX®-Powerpackage line-Q

The preferred series



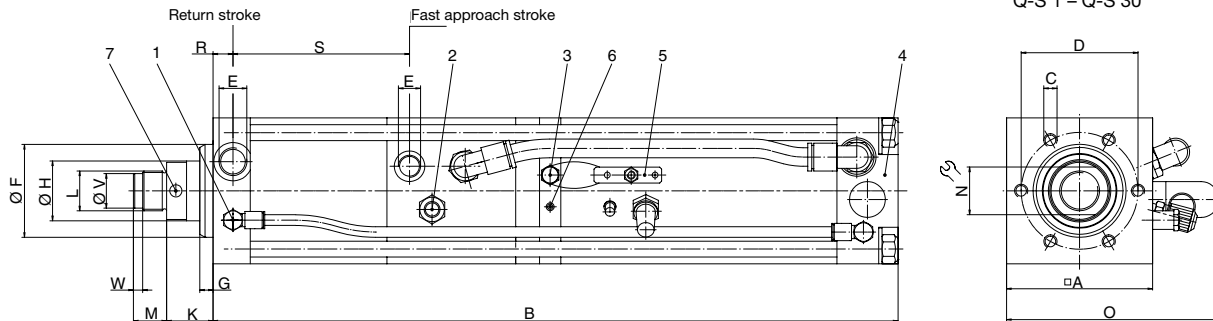
Data  
sheet  
10.50

2017/02

TOX® PRESSOTECHNIK GmbH & Co. KG  
Riedstrasse 4  
D-88250 Weingarten

Find your local contact at:  
[www.tox-pressotechnik.com](http://www.tox-pressotechnik.com)

# TOX<sup>®</sup>-Powerpackage line-Q type S at 6 bar 10 – 300 kN



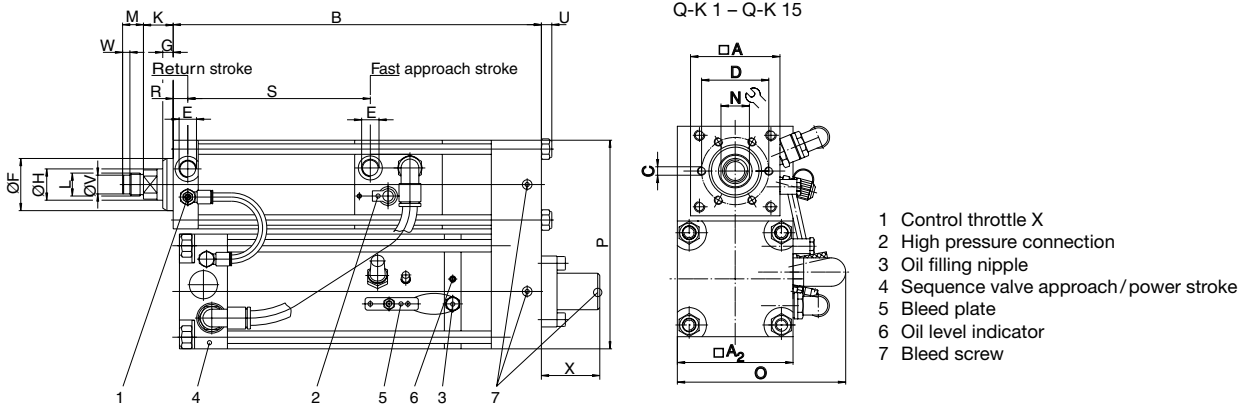
Order no.	inclu- total stroke power	max. press force kN	fast approach force N	return stroke force N	A	B	C	D	E	F <sub>17</sub>	G	H	K	L	M	N	O	R	S	V <sub>gs</sub>	W	* IV	Weight kg
Q-S 001.030.050.	21	11.6	1400	1450	70	638	6xM8x12	54	G1/4	40	9	20	26.0	M16x1.5	15	17	104	13.0	116.0	-	-	x	12
Q-S 001.030.100.	22	11.6	1400	1450	70	738	6xM8x12	54	G1/4	40	9	20	26.0	M16x1.5	15	17	104	13.0	166.0	-	-	x	12
Q-S 002.030.050.	12	16.5	1400	1450	70	638	6xM8x12	54	G1/4	40	9	20	26.0	M16x1.5	15	17	104	13.0	116.0	-	-	x	12
Q-S 002.030.100.	12	16.5	1400	1450	70	738	6xM8x12	54	G1/4	40	9	20	26.0	M16x1.5	15	17	104	13.0	166.0	-	-	x	12
Q-S 004.030.050.	12	39.9	1700	1900	85	721	6xM8x15	64	G3/8	50	10	30	28.5	M22x2	20	24	124	14.0	125.0	18	7	x	20
Q-S 004.030.100.	12	39.9	1700	1900	85	821	6xM8x15	64	G3/8	50	10	30	28.5	M22x2	20	24	124	14.0	175.0	18	7	x	20
Q-S 008.030.050.	12	76.4	3200	3250	110	841	6xM10x16	88	G1/2	70	9	45	35.0	M30x2	25	36	165	15.0	133.0	26	7	x	36
Q-S 008.030.100.	12	76.4	3200	3250	110	941	6xM10x16	88	G1/2	70	9	45	35.0	M30x2	25	36	165	15.0	183.0	26	7	x	36
Q-S 015.030.050.	12	130.4	4500	5350	135	878	6xM16x25	100	G1/2	75	15	50	36.0	M30x2	25	41	175	17.5	134.5	26	7	x	59
Q-S 015.030.100.	12	130.4	4500	5350	135	978	6xM16x25	100	G1/2	75	15	50	36.0	M30x2	25	41	175	17.5	184.5	26	7	x	59
Q-S 030.030.100.	12	283.9	6600	9150	170	1207	6xM20x30	132	G3/4	100	17	56	47.0	M39x2	35	50	232**	20.0	236.0	-	-	-	117

\* IV: integrated sequence valve

\*\* Series with external sequence valve approach/power stroke

Dimensions in mm

# TOX®-Powerpackage line-Q type K at 6 bar 10 – 150 kN



Order no.	inclu- ded total stroke power stroke	max. press force kN	fast appr- oach stroke force N	return stroke force N	A	A <sub>2</sub>	B	C	D	E	F <sub>17</sub>	G	H	K	L	M	N	O	P	R	S	U	V <sub>96</sub>	W	X	*IV	Weight kg
Q-K 001.030.100.	24	11.8	1400	1450	70	85	371	6xM8x12	54	G1/4	40	9	20	26.0	M16x1.5	15	17	117	160	13.0	166.0	8	-	-	98.5		20
Q-K 001.030.200.	52	11.8	1400	1450	70	85	571	6xM8x12	54	G1/4	40	9	20	26.0	M16x1.5	15	17	117	160	13.0	266.0	8	-	-	244.5	x	27
Q-K 002.030.100.	15	16.3	1400	1450	70	85	371	6xM8x12	54	G1/4	40	9	20	26.0	M16x1.5	15	17	117	160	13.0	166.0	8	-	-	98.5		20
Q-K 002.030.200.	34	16.3	1400	1450	70	85	571	6xM8x12	54	G1/4	40	9	20	26.0	M16x1.5	15	17	117	160	13.0	266.0	8	-	-	244.5	x	27
Q-K 004.030.100.	05	48.6	1700	1900	85	110	397	6xM8x15	64	G3/8	50	10	30	28.5	M22x2	20	24	165	200	14.0	175.0	10	18	7	86.5		33
Q-K 004.030.200.	13	48.6	1700	1900	85	110	597	6xM8x15	64	G3/8	50	10	30	28.5	M22x2	20	24	165	200	14.0	275.0	10	18	7	204.5	x	43
Q-K 008.030.100.	08	67.4	3200	3250	110	135	426	6xM10x16	88	G1/2	70	9	45	35.0	M30x2	25	36	177	250	15.0	183.0	12	26	7	93.5		62
Q-K 008.030.200.	18	67.4	3200	3250	110	135	626	6xM10x16	88	G1/2	70	9	45	35.0	M30x2	25	36	177	250	15.0	283.0	12	26	7	229.5	x	77
Q-K 015.030.200.	12	140.4	4500	5350	135	170	650	6xM16x25	100	G1/2	75	15	50	36.0	M30x2	25	41	232**	315	17.5	284.5	16	26	7	185.5	-	134

\* IV: integrated sequence valve

\*\* Series with external sequence valve approach/power stroke

Dimensions in mm

### How to order:

Q-S 8.30.100.12

