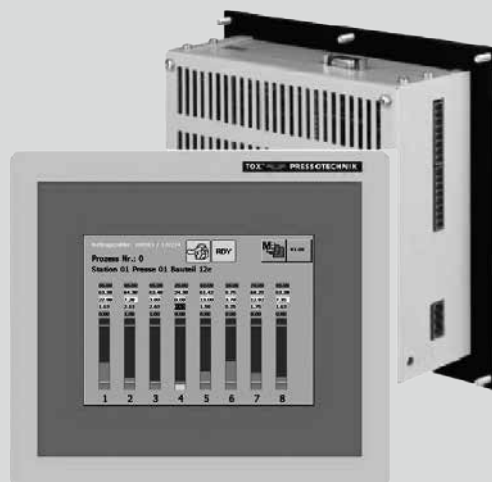


TOX®-Process monitoring



Data
sheet
100.20

2016/09

TOX® PRESSOTECHNIK GmbH & Co. KG
Riedstrasse 4
D-88250 Weingarten

Find your local contact at:
www.tox-pressotechnik.com

TOX®-Process monitoring

The TOX®-Process monitoring monitors clinching and joining processes and provides important data about process status.

Functions:

- + Real names for program memory, up to 40 characters
- + 64 sensor configurations per channel
- + 4 password levels: operator, setup technician, integrator, end user
- + 8 digital I/O's
- + Status indicator menu of digital I/O ports

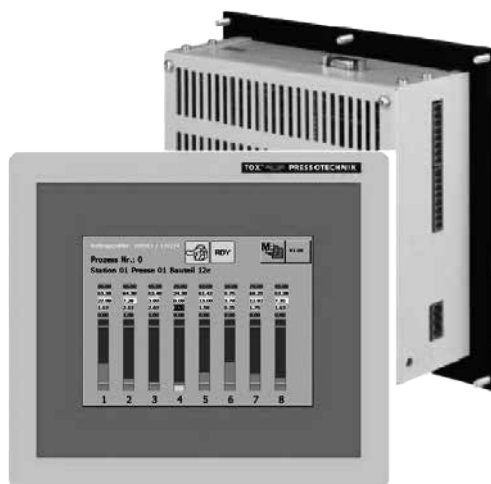
- + Stores up to 100 values with time stamp
- + Includes TOX®_softWare for parameterization and data recording
- + Display of control dimension X (absolute value)
- + Choice of panel mount unit or wall mount unit IP54
- + Backlit display
- + Membrane keyboard with password protection
- + RS 232 for parameterization
- + Ethernet interface allows unlimited monitoring channels via network

Optional expansion:

- + PROFIBUS DP interface
- + CANopen Gateway for implementation of all standard bus systems, Interbus, ProfiNet, ...
- + Process sequence control for TOX®-Clinching Processes
- + Service modules such as
 - Remote maintenance
 - Test control unit to check measuring cycle
- + Analog output 0–10V
- + Evaluation unit for bench top presses TOX®-FinePress



CEP 400



CEP 400 T

Real-time monitoring “work & see”

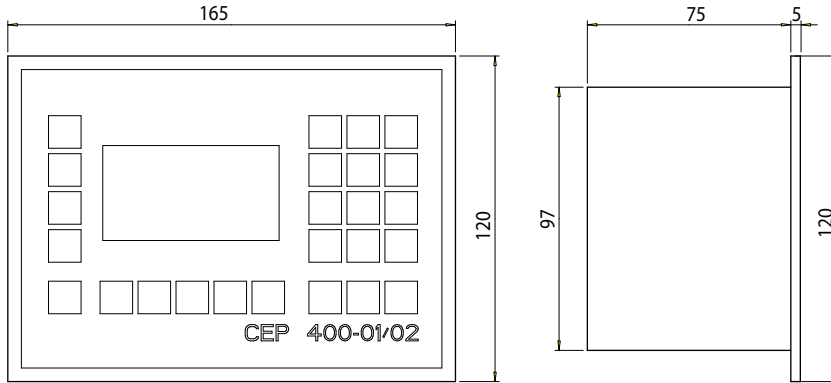
- Provides important information about the process sequence
- Special monitoring by means of window technology for clinching processes
- Individual measuring programs available
- Storage of final values
- Several password levels
- Colour touchscreen (CEP 400 T)

Technical data	CEP 400	CEP 400 T
Application	Monitoring of force processes	Monitoring of force processes
Supply voltage	24VDC	24VDC
Current consumption	≤ 1 A	≤ 1 A
Display	LCD display 128x64 Plastic foil keyboard: System keypad Numeric and function keys	5.7" colour touchscreen TFT LCD 640x480 (VGA) Colour depth 16 bit
Inputs / Outputs	- Digital: 8 inputs / 8 outputs	- Digital: 16 inputs / 8 outputs
Number of measuring programs	64	64
Dimensions WxHxD (mm)	Built-in version: 134x91.5x55 Wall mounted version: 365x250.5x125	Built-in version: 210x185x123.5 (D99 for two slots) Wall mounted version: 400x360x160
Weight	Built-in version: 1 kg Wall mounted version: 2.5 kg	Built-in version: 1.5 kg Wall mounted version: 4 kg
Interfaces connections	RS232, Digital In/Out	Ethernet, USB, Digital In/Out
Fieldbus interfaces	PROFIBUS DP, Ethernet	Ethernet, PROFIBUS DP, PROF- INET CU, DeviceNet, Ethernet IP, CANopen, PROFINET LWL, EtherCAT
Protection class	Built-in device IP54 front panel IP20 housing	Built-in device IP54 front panel IP20 housing Wall mounted unit IP54
Measuring channels: Force DMS Force standard signal	 x	 x x
Measuring channel resolution	12 bit	12 / 16 Bit
Max. measuring interval	1000Hz	2000Hz
Monitoring by means of window technology	x	x
Password protection	x	x
Number of last final values in memory	100	1000
Backup	Backup with TOX [®] _{soft} Ware	1000 final values transferrable to USB memory stick as CSV file Backup with TOX [®] _{soft} Ware

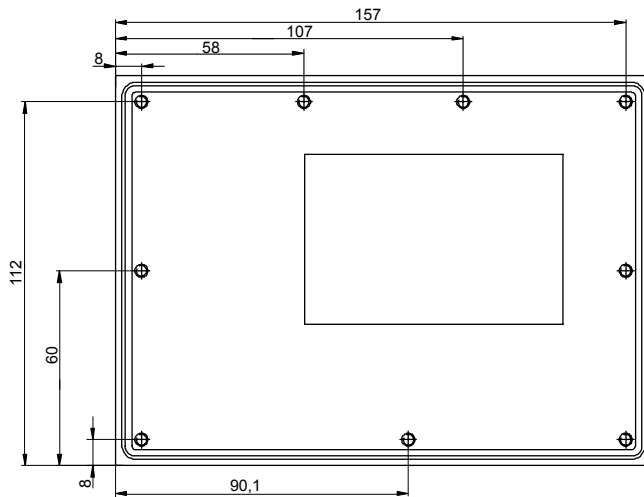
TOX®-Process monitoring CEP 400

Connections and dimensions

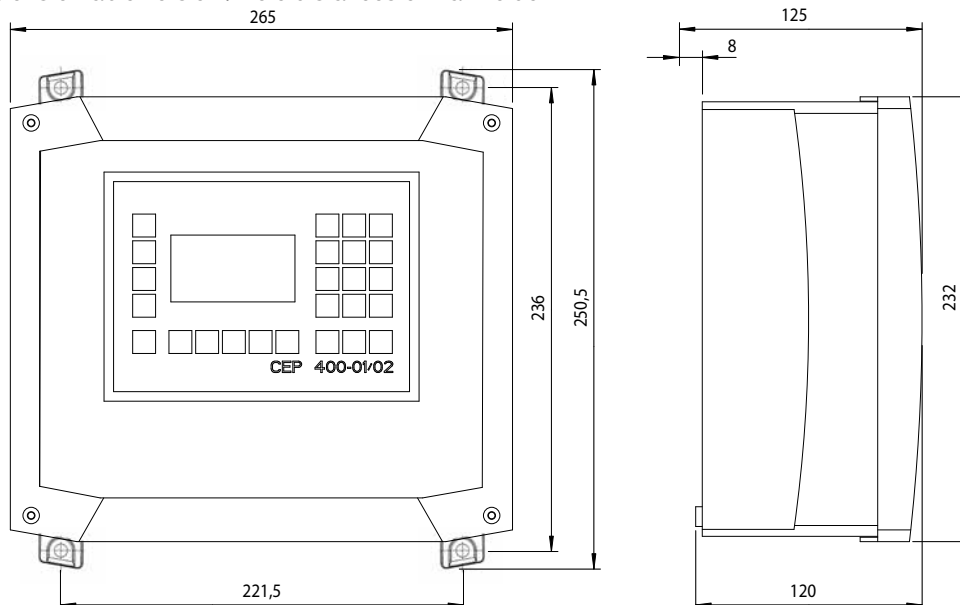
Dimensions of built-in version



Hole pattern built-in version (back view)



Dimensions of table version / hole distances of wall holder



TOX®-Process monitoring CEP 400T

Connections and dimensions

